



SPECIFICATION FOR APPROVAL

技术规格确认书

客户名称 Customer	
客户料号 Customer PN	
产品类型 Product Model	PTC Sensor
型号规格 Part Number	PTB02S8101FR1
文控编号 Specification file No.	
版本号 Version	V1

	DES.	CHK.	APP.
Manu.	RH LIANG	HO ZHANG	DZ LIN
User			

This Specification indicates the parameters, electrical properties, test condition, structure and dimension of the NTC Thermistors and Temperature Sensors manufactured by Ampfort . it is sincerely for your confirmation got the spec. and accept as our company' s standard.

Any doubt, please contact us in due course, or if you change the usage of the products, or if the operational environment changed evidently, please inform us.



SPECIFICATION FOR APPROVAL

Reliable partner for your dream technology.

Revision record

Date 日期	Version 版本号	Revise Content 修订内容	Make 制作	Approval 批准
2022.02.10	V1	First Custom	HO ZHANG	DZ LIN

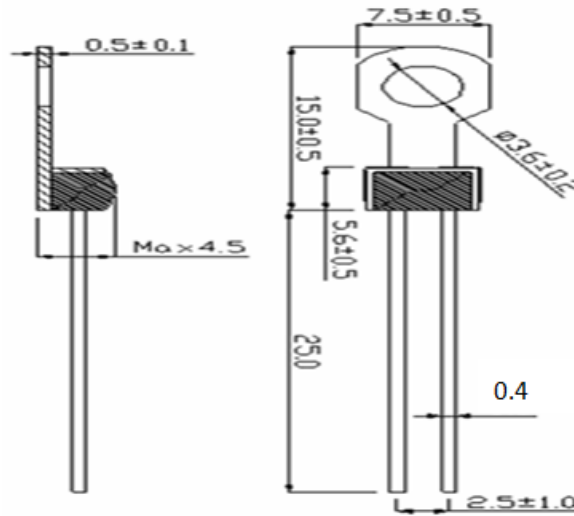


SPECIFICATION FOR APPROVAL

Reliable partner for your dream technology.

1、 Overall Dimension

(Unit: mm)



2、 Material explanation

NO	COMPONENT	MATERIAL AND SPECIFICATIONS	Q'TY	REMARK
2-1.	Housing	Tin Plated Copper	1	
2-2.	Element	PTC DISK	1	
2-3.	Coating	Epoxy Resin		Black
2-4.	Wire	CP Wire (φ 0.4mm)	2	

3、 Part Number :

PT -

1 2 3 4 5 6 7

- (1) PTC Thermistor Mark;
- (2) Insulation/Housing Type (A:Lead Type, B: Metal Terminal Type);
- (3) Disc Type;
- (4) Pierre Curie Temperature (eg: S5~S9=50~90°C, B0~B2=100~120°C)
- (5) Nominal Resistance at 25°C;
- (6) Rated Voltage (Z=16Vrms, F=30Vrms);
- (7) Special code ;



4、Electrical Performance:

Part Number	PTB02S8101FR1
Sensing Temperature T_s ($^{\circ}\text{C}$)	80
Resistance at 25 $^{\circ}\text{C}$ (Ω)	$\cong 100$
$T_s-5^{\circ}\text{C}$ (Ω)	$\cong 570$
$T_s+5^{\circ}\text{C}$ (Ω)	$\cong 570$
$T_s+23^{\circ}\text{C}$ ($\text{K}\Omega$)	$\cong 10$
Max. Operating Voltage (Vdc)	Max. 30
Max. Permissible Current (ImA)	Max. 100
Operating Temp. Range ($^{\circ}\text{C}$)	-20 ~ 105

5、Storage Method

- 6.1 In the process of storage and transportation, per stack height is not more than 4 CTN products.
- 6.2 Available with all transport method, but avoid the rain, snow of direct or indirect leaching and mechanical damage.
- 6.3 Products should be stored in the temperature of environment - 10 $^{\circ}\text{C}$ / + 40 $^{\circ}\text{C}$, relative humidity is not more than 75%, environment should not have acid, alkali and corrosion gas or radioactive source.
- 6.4 Period of Storage:1 year.